

96 Hinge

Lift-off · In-line · Offset · Plastic

Features

- Allows for quick, easy door removal
- Corrosion-resistant materials
- Door can also be permanently installed

Product Performance

300 Series:

- Radial load:
 - Maximum static load: 670 N
 - Average ultimate load: 1,100 N
- Axial load:
 - Maximum static load: 1,560 N
 - Average ultimate load: 2,500 N

Material

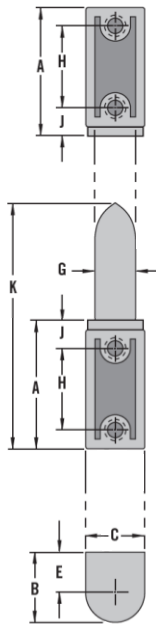
- Glass-filled nylon, black



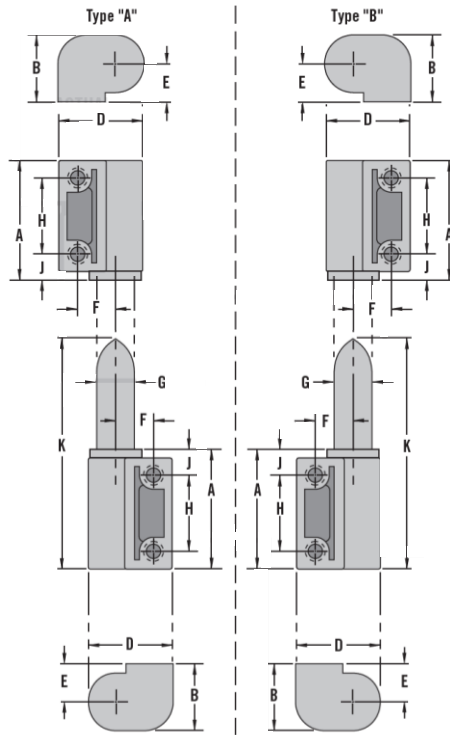
400 Series:

- Radial load:
 - Maximum static load: 1,000 N
 - Average ultimate load: 1,900 N
- Axial load:
 - Maximum static load: 2,000 N
 - Average ultimate load: 4,900 N

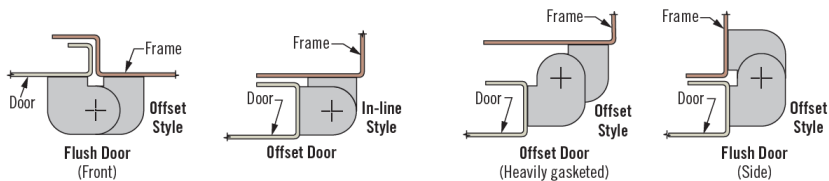
In-Line Knuckle Style



Offset Knuckle Style



Mounting variations



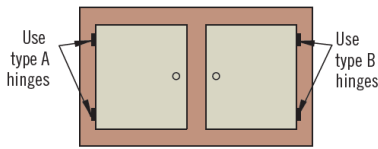
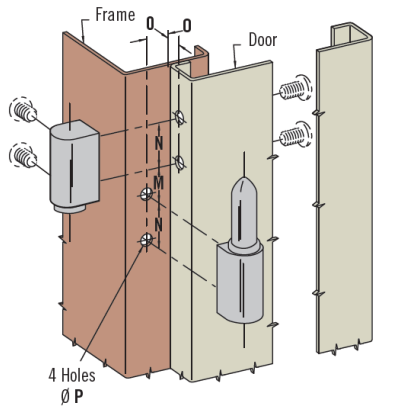
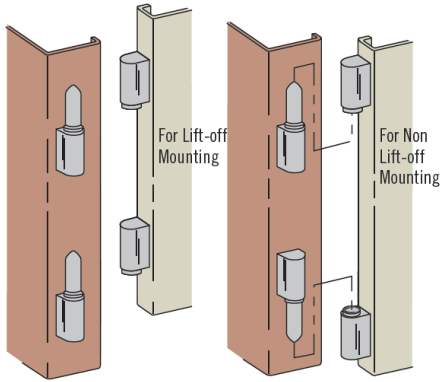
Series	Tapped Hole	Dimensions								Part Number		
		A	B	C	D	E, F & G	H	J	K	In-Line Knuckle Style	Offset Knuckle Style	
											Type "A"	Type "B"
300	M5	31	16.7	14.3	21.5	9.5	19	7	58	96-50-300-11	96-50-310-11	96-50-320-11
	10-24	(1.22)	(.66)	(.56)	(.84)	(.38)	(.75)	(.28)	(2.28)	96-10-300-11	96-10-310-11	96-10-320-11
400	M6	41.3	22.2	19	28.5	12.7	25.5	9.5	78	96-50-400-11	96-50-410-11	96-50-420-11
	1/4-20	(1.63)	(.88)	(.75)	(1.13)	(.50)	(1.00)	(.38)	(3.06)	96-10-400-11	96-10-410-11	96-10-420-11

Installation Notes

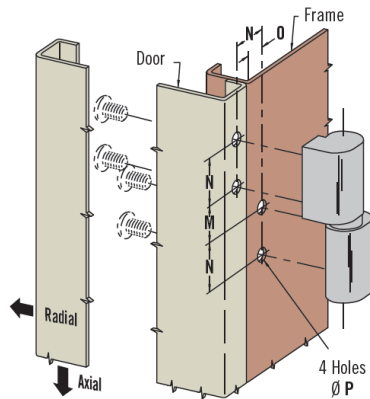
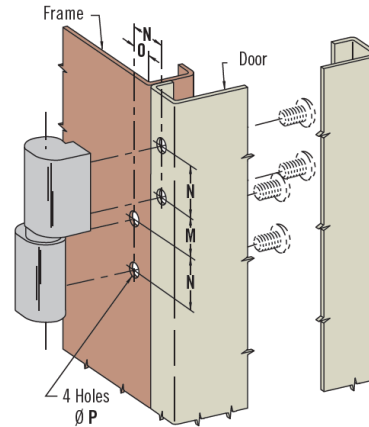
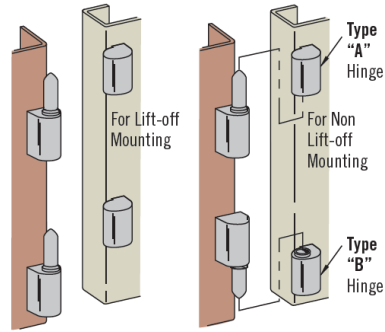
- Screws not supplied
- Maximum tightening torque of screw: 2.8 N.m
- Calculate screw length using the formula:
Door thickness + adjustment value

Series	Adjustment Value	
	In-Line	Offset
300	4.8 (.19)	6.5 (.25) Min. to 9.5 (.38) Max.
400	6.4 (.25)	9.5 (.38) Min. to 12.7 (.50) Max.

In-Line Knuckle Style



Offset Knuckle Style



southco[®]

We are proud to be Southco's authorized distributor of over 20 years

Series	Installation Dimensions			
	M	N	O	P
300	14.3 ^{+0.0} _{-0.3} (.563±.008)	19 ^{+0.2} _{-0.1} (.750±.008)	9.5 ^{+0.3} _{-0.1} (.375±.005)	5.4 ^{+0.1} _{-0.0} (.205 ^{+0.003} _{-.000})
400	19.0 ^{+0.0} _{-0.3} (.750±.008)	25.5 ^{+0.1} _{-0.2} (1.000±.008)	12.7 ^{+0.2} _{-0.1} (.500±.005)	6.7 ^{+0.1} _{-0.0} (.264 ^{+0.003} _{-.000})